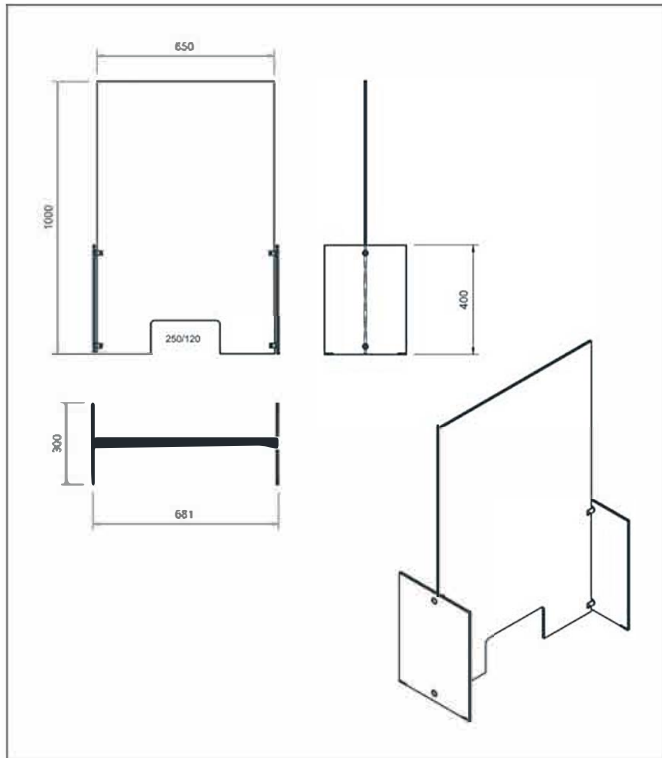
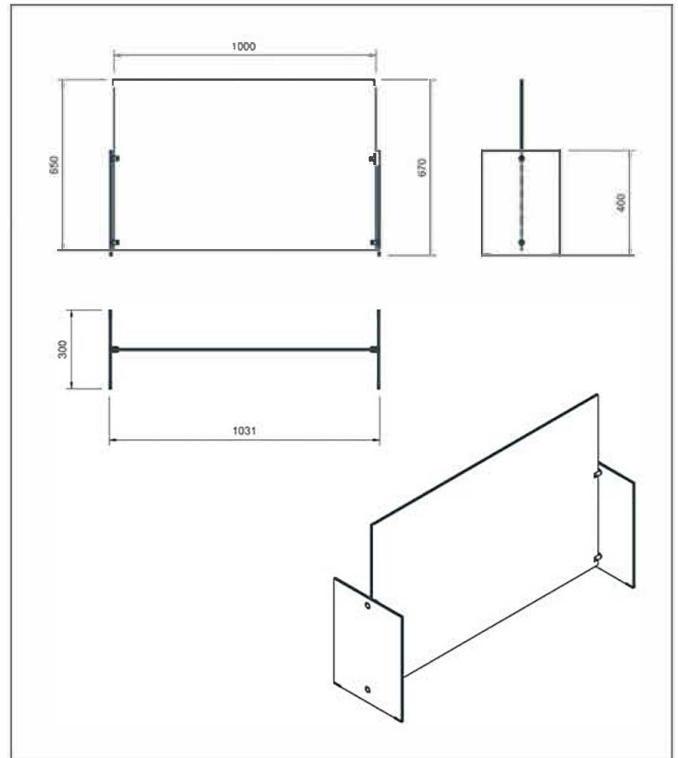


GM PICO® PROTECTIVE GLASS SCREEN TECHNICAL DATA SHEET

VARIANT «HIGH»: SALES COUNTER, CHECK OUT



VARIANT «WIDE»: MEETING, OFFICE



SPECIAL ADVANTAGES

- » hygienic
- » portable
- » elegant design
- » high quality construction
- » highly resistant to chemical cleaners

TECHNICAL DATA

Glass type (protective glass screen)	GM ESG SECURMART [®] (toughened safety glass)
Glass thickness (mm)	6 and 8 mm
Dimensions (mm)	<ul style="list-style-type: none"> » high: 681 × 300 × 1,000 (with service hatch) » wide: 1,031 × 300 × 670 (with document slot) Custom dimensions on request
Typical applications	<ul style="list-style-type: none"> » Retail, banks, pharmacies, petrol stations, tobacconists and GP practices » wide: Law firms, notaries, architects, agencies and meeting rooms
Safety instructions	<ul style="list-style-type: none"> » The GM PICO[®] PROTECTIVE GLASS SCREEN must be always be placed on a level, adequately stable surface (weight: approx. 20 kg). » Caution: material-appropriate handling required » In the event of damage to the glass panels, please replace GM PICO[®] PROTECTIVE GLASS SCREEN immediately. » GM PICO[®] PROTECTIVE GLASS SCREEN supports the recommended hygiene measures for direct contact between colleagues, employees and customers. Please note when using GM PICO[®] PROTECTIVE GLASS SCREEN that the general recommendations for hygiene and any required distancing measures must nevertheless be observed.